

MAIN FEATURES

EPLA is an absolute linear potentiometer assuring great reliability even in tough applications with heavy vibrations and shocks. The groove on the enclosure of the transducer represents an excellent alternative to the usual system of fastening with brackets. Installation is also made simpler by the absence of variations on the electrical output signal outside of the theoretical electrical stroke. EPLA is the right solution in machinery for material processing such as injection presses for plastic, rubber and so on.

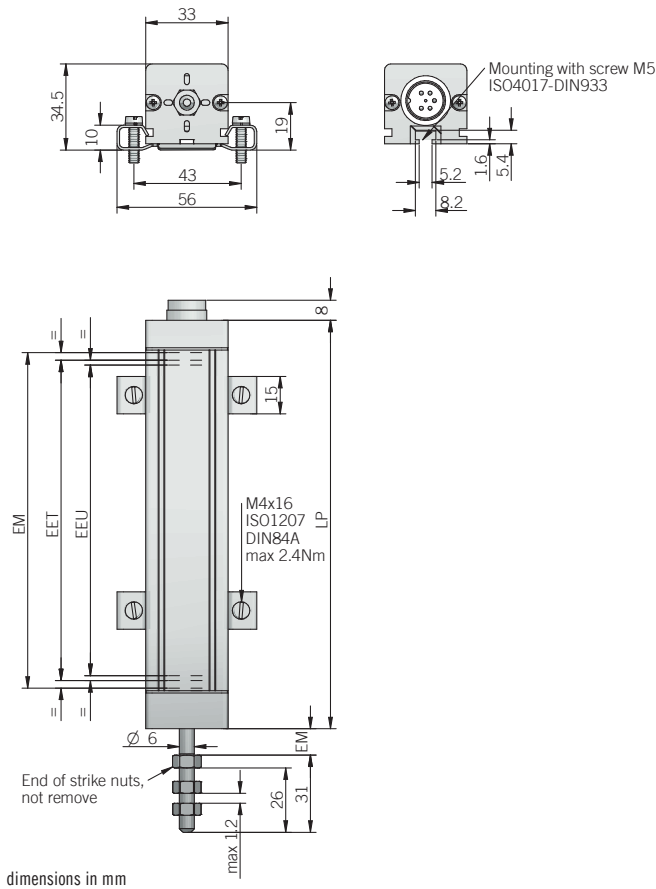


ORDERING CODE

EPLA 200 X 10 C5 A

SERIES linear potentiometer model EPLA					
STROKE mm from 50 to 900 see table for stroke availability					
ENCLOSURE RATING IP 60 X IP 65 S					
TRAVEL SPEED max 10 m/s 10					
OUTPUT TYPE cable (standard length 1 m) P 3 pin connector C3 DIN 43650-A 4 pin connector C4 DIN 43322 5 pin connector C5					
OUTPUT DIRECTION axial A					

EPLA



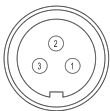
dimensions in mm

CONNECTIONS

Function	Cable	3 pin C3	4 pin C4	5 pin C5
+	blue	3	3	3
-	brown	1	1	1
OUTPUT	yellow	2	2	2
NC	/	/	4	4
NC	/	/	/	5

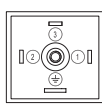
C3 connector (3 pin)

front view



C4 connector (4 pin)

DIN 43650-A front view

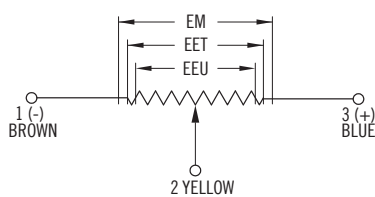


C5 connector (5 pin)

DIN 45322 front view



- fixing kit (brackets, screws) included
- socket connector not included, please refer to Accessories



ELECTRICAL SPECIFICATIONS

Resolution	virtually infinite
Independent linearity	± 0,05 %
Repeatability	0,01 mm
Resistance tolerance	± 20 %
Recommended cursor current	< 0,1 µA
Resistance thermal coefficient	-200 ... 200 ppm / °C typical
Output voltage temperature coefficient	≤ 5 ppm / °C
Power dissipation	3 W at 40 °C / 0 W at 120 °C
Max cursor current	10 mA
Applicable voltage	60 V DC max
Electrical insulation	> 100 MΩ, 500 V DC, 1 bar, 2 s
Dielectric strenght	< 100 µA, 500 V AC, 50 Hz, 1 bar, 2 s
Cable type	shielded - fixed installation conductors section 0,20 mm ² / AWG 24 bending radius min 40 mm
RoHS	according to 2011/65/EU directive

Important: data are valid if the transducer is used as a ratiometric device with a maximum applicable current ≤ 0,1 µA

MECHANICAL SPECIFICATIONS

Stroke	50 - 100 - 150 - 200 - 300 - 350 - 400 - 450 - 500 - 600 - 750 - 900 mm
Useful electric stroke (EEU) (+ 3 / - 0 mm)	see stroke (mm)
Theoretical electric stroke (EET) (±1 mm)	EEU + 3 mm (50 ... 150), EEU + 4 mm (200 ... 300), 355 mm (350), 406 mm (400), 457 mm (450), 508 mm (500), 609 mm (600), 762 mm (750), 914 mm (900)
Mechanical stroke (EM)	EEU + 9 mm (50 ... 150), EEU + 10 mm (200 ... 300), 361 mm (350), 412 mm (400), 463 mm (450), 518 mm (500), 619 mm (600), 772 mm (750), 924 mm (900)
Resistance (on the EET)	5 kΩ (50 ... 600) 10 kΩ (750 ... 900)
Case length (LP)	EEU + 63 mm (50 ... 150), EEU + 64 mm (200 ... 300), 415 mm (350), 466 mm (400), 517 mm (450), 572 mm (500), 673 mm (600), 826 mm (750), 978 mm (900)
Travel speed	10 m/s max
Acceleration	200 m/s ² max
Enclosure rating	X = IP 60 (IEC 60529) S = IP 65 (IEC 60529)
Shock	50 G, 11 ms (IEC 60068-2-27)
Vibration	20 G, 5 ... 2000 Hz (IEC 60068-2-6)
Displacement force typical	3,5 N (0,79 lbs) with X enclosure rating 15 N (3,37 lbs) with S enclosure rating
Housing material	anodized aluminium / Nylon 66 G
Pull shaft material	stainless steel
Mounting	brackets with variable center-to-center distance or M5 ISO4017 - DIN933 screw
Life	> 25 x 10 ⁶ m strokes or > 100 x 10 ⁶ manoeuvres
Operating temperature^{1,2}	-30° ... +100°C (-22° ... +212°F)
Storage temperature²	-50° ... +120°C (-58° ... +248°F)

¹ measured on transducer

² condensation not allowed

Installation warning instructions:

- connect the transducer according to the reported connections
- DO NOT use it as a variable resistance
- the transducer calibration has to be done setting the stroke in order to have an output signal between 1 % and 99 % of the voltage level